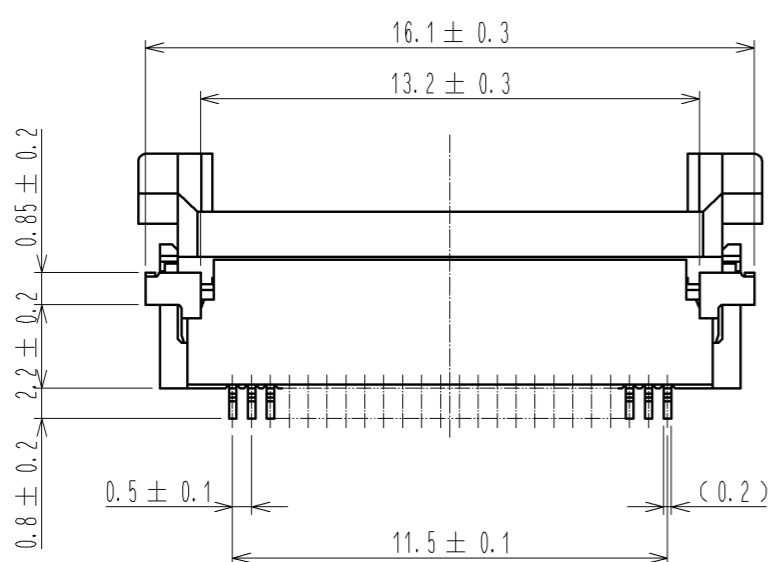
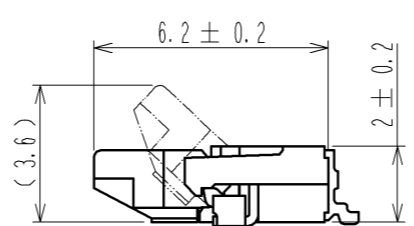
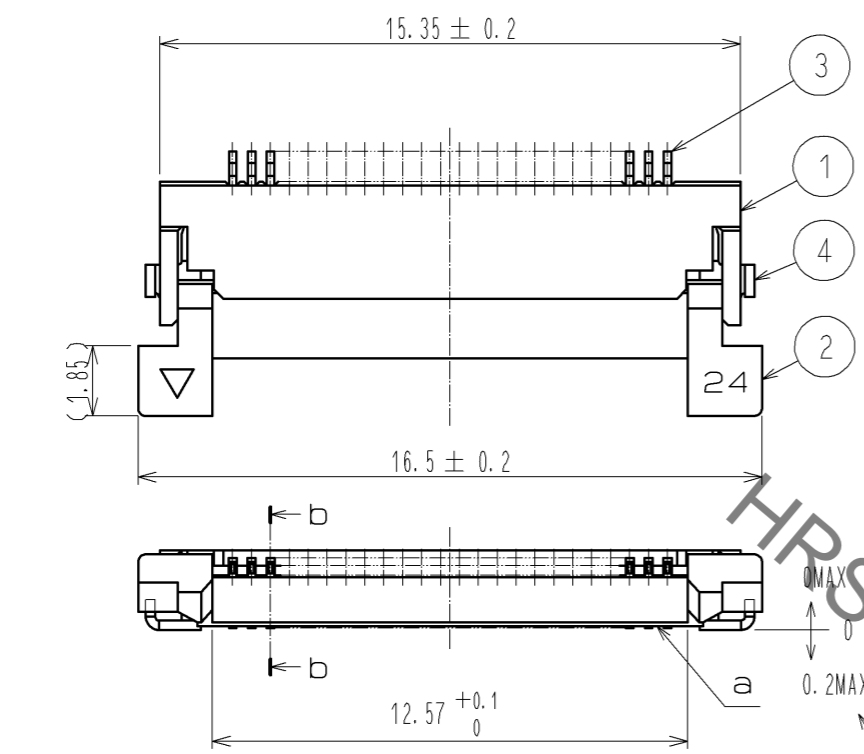
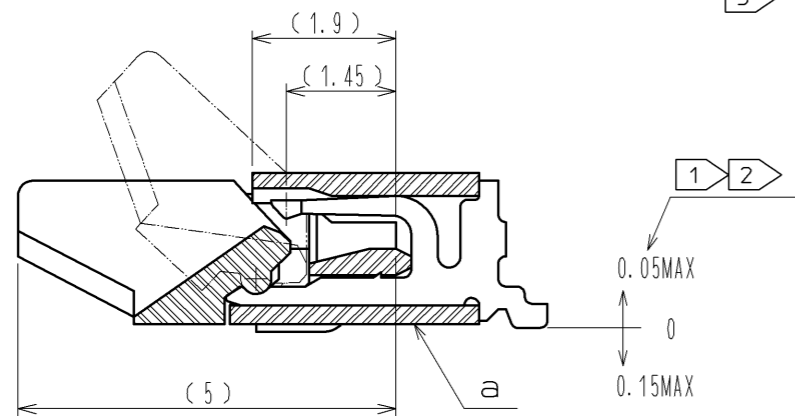


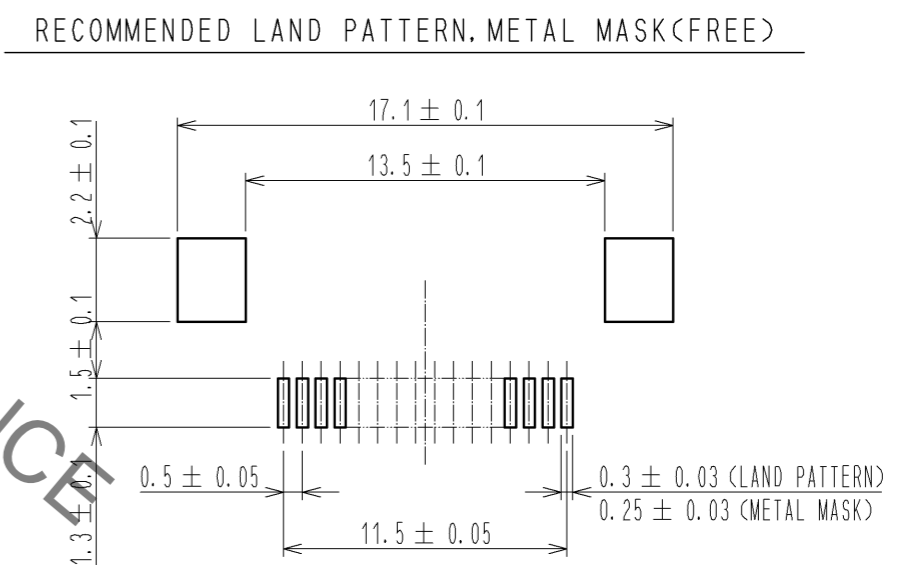
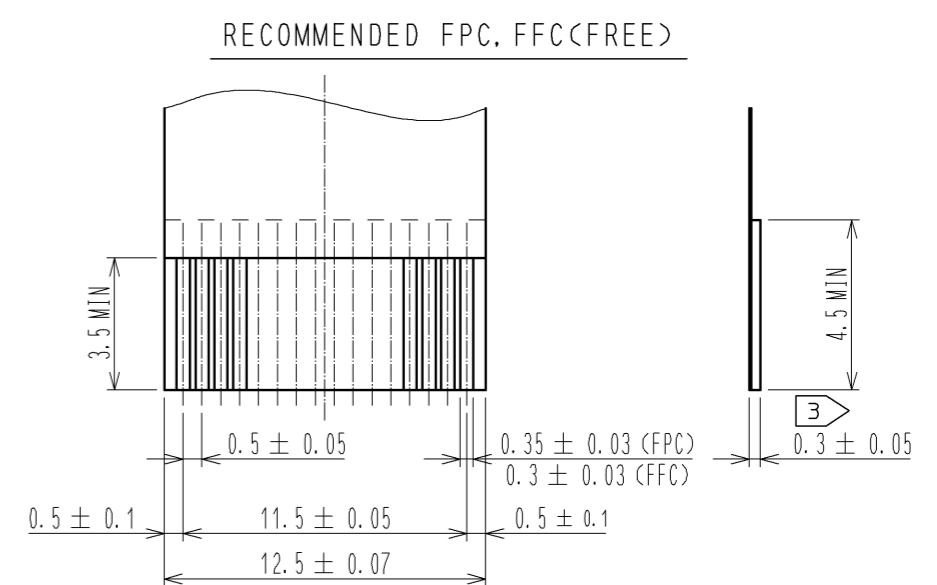
Sep.1.2020 Copyright 2020 HIROSE ELECTRIC CO., LTD. All Rights Reserved.  
In case of consideration for using Automotive equipment / device which demand high reliability, kindly contact our sales window correspondents.



b-b (10 : 1)



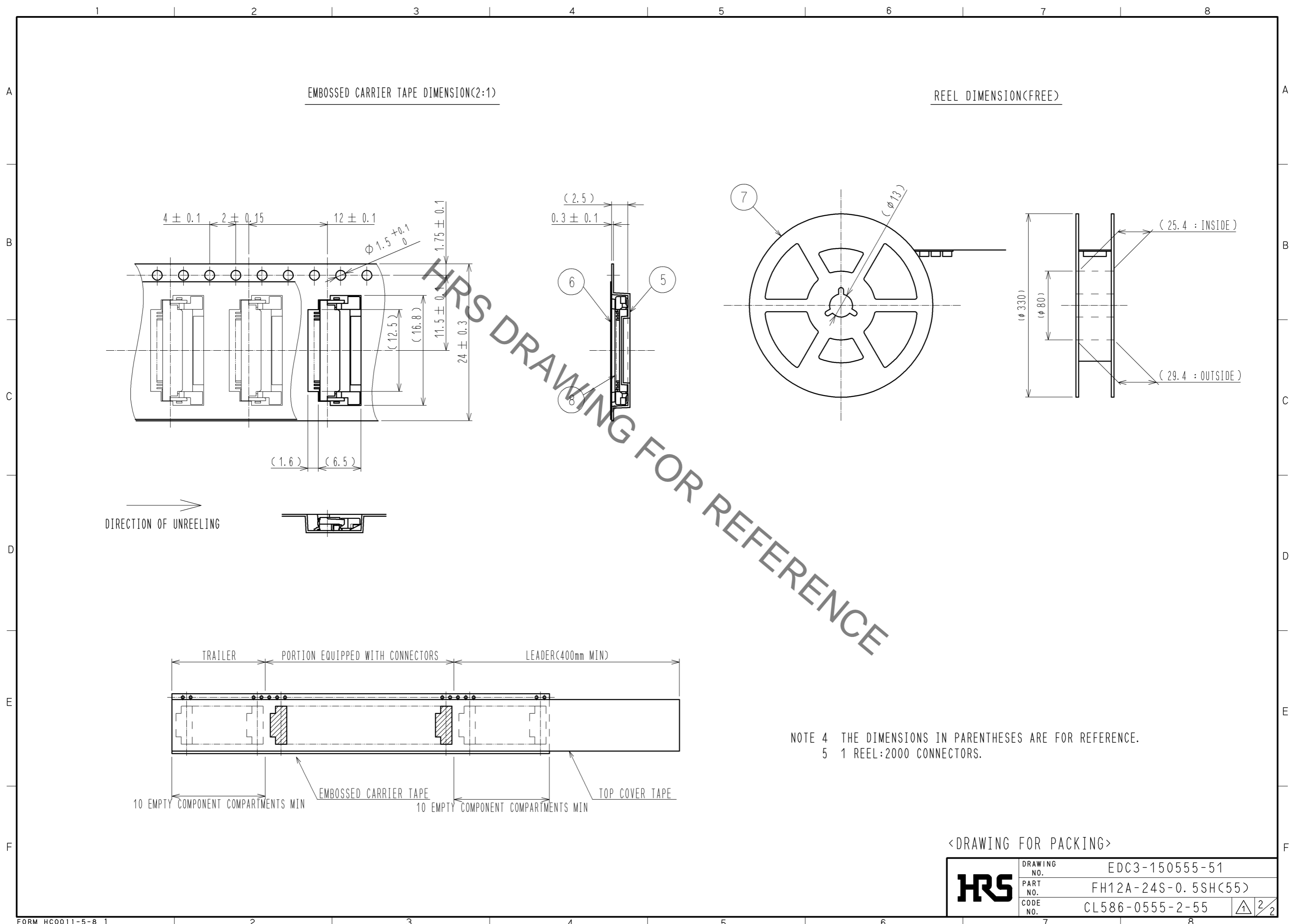
NOTE  
 ① REFERENCE IS a.  
 ② LEAD CO-PLANARITY SHALL BE 0.1 MAX.  
 ③ THICKNESS OF SUPPORTING TAPE SHALL BE 0.188(7.5mil) MIN.



RECOMMENDED METAL MASK THICKNESS t=0.15

4	BRASS	TIN PLATING 1μmMIN OVER NICKEL 1μmMIN.	8	(CONNECTOR)	
3	PHOSPHOR BRONZE	GOLD PLATING 0.05μmMIN OVER NICKEL 1μmMIN.	7	POLYSTYRENE	
2	PPS	DEEP BROWN UL94V-0	6	POLYESTER	
1	POLYAMIDE	BEIGE UL94V-0	5	POLYSTYRENE	
NO.	MATERIAL	FINISH . REMARKS	NO.	MATERIAL	FINISH . REMARKS
UNITS	mm	SCALE	5 : 1	COUNT	1
APPROVED : RI. TAKAYASU			08.09.02		
CHECED : HS. SAKAMOTO			08.09.01		
DESIGNED : MK. YASUMI			08.08.26		
DRAWN : MK. YASUMI			08.08.26		
DESCRIPTION OF REVISIONS				DESIGNED	CHECKED
DIS-F-003410				MK. YASUMI	FN. TAMURA
				DATE	09.12.11
DRAWING NO.				EDC3-150555-51	
PART NO.				FH12A-24S-0.5SH(55)	
CODE NO.				CL586-0555-2-55	

Sep.1.2020 Copyright 2020 HIROSE ELECTRIC CO., LTD. All Rights Reserved.  
 In case of consideration for using Automotive equipment / device which demand high reliability, kindly contact our sales window correspondents.



→  
DIRECTION OF UNREELING

NOTE 4 THE DIMENSIONS IN PARENTHESES ARE FOR REFERENCE.  
 5 1 REEL:2000 CONNECTORS.

<DRAWING FOR PACKING>

<b>HRS</b>	DRAWING NO.	EDC3-150555-51
	PART NO.	FH12A-24S-0.5SH(55)
	CODE NO.	CL586-0555-2-55
		△ 2/2